

# ECONOMAIRE 25/INTEJAN

## WARM AIR HEATER

### INSTALLATION, COMMISSIONING & SERVICING INSTRUCTIONS

G.C. Numbers:

Air Heater: 25 42-416-15

Water Circulator: 53-416-32

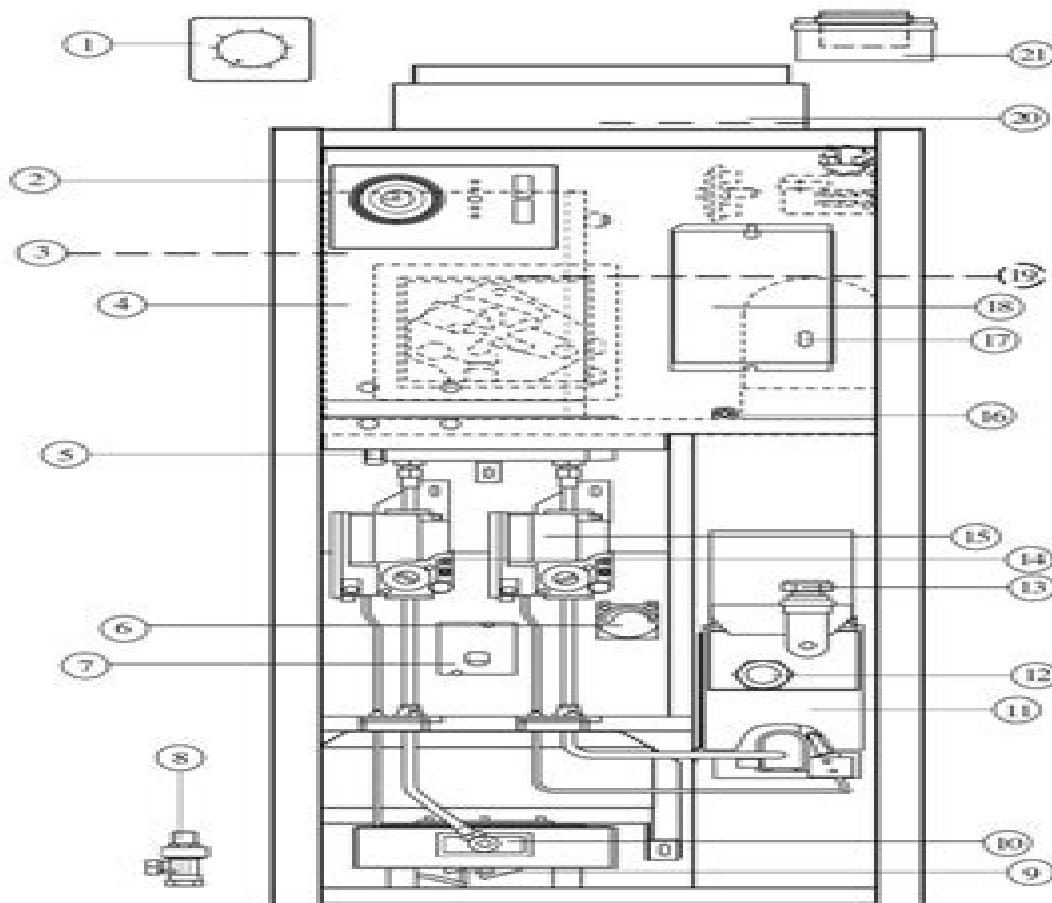


Publication No. ZZ 1108/5

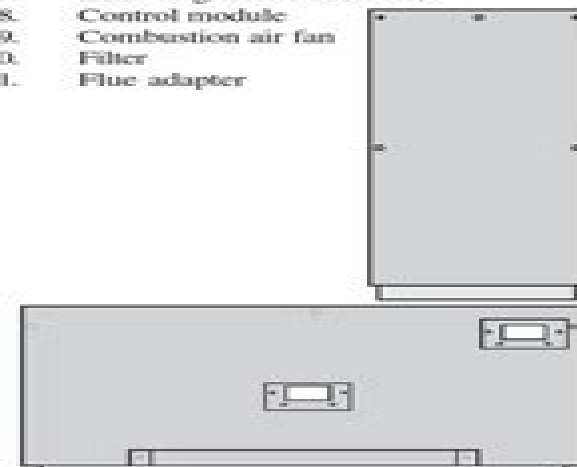
February 2008

ECONOMAIRE 25/INTEJAN has been tested and certified by Advantica Technologies for use with NATURAL gas G20.

**Note:** These instructions have been written to service both the ECONOMAIRE 25 and the ECONOMAIRE 25 INTEJAN. If your heater does not have the intejan circulator fitted, simply ignore the relevant section/s.



1. Thermista-stat
2. Time control
3. Air circulator fan
4. Circuit diagram label
5. Gas connection
6. Circulator thermostat
7. FDC & limit switch
8. Gas cock
9. Ignition burner
10. Main burner assembly
11. Intejan circulator
12. Water return connection
13. Water flow connection
14. Air heater multifunction control
15. Intejan multifunction control (ECONOMAIRE 25 INTEJAN)
16. Flue gas test point
17. LED diagnostics indicator
18. Control module
19. Combustion air fan
20. Filter
21. Flue adapter



**Fig. 1**  
Heater with Sealing Panel removed

**Fig.2**  
Sealing Panel

#### 1. BRIEF DESCRIPTION

- 1.1 The ECONOMAIRE 25/INTEJAN is a fan assisted downflow ducted warm air heater, which is fan flued and room sealed. The heater is supplied with digital temperature control (for maximum comfort) and a water circulator is standard on the 25 INTEJAN. However, an INTEJAN circulator (retro-fit) kit is available for the ECONOMAIRE 25.

# **Johnson And Starley Warm Air Heating Manual**

**V B Johnson**



## **Johnson And Starley Warm Air Heating Manual:**

*Moody's International Manual* ,1998      **Mergent International Manual** ,2003      **Gas World** ,1977      **Laxton's Building Price Book 2002** V B Johnson,2001-10-10 Laxton s gives you access to the most reliable and current data All 250 000 price elements have been individually checked and updated for the 2002 edition so that your estimates are always accurate and cost competitive Laxton s makes analytical estimating simple and straightforward by displaying a complete breakdown for all measured items under 10 separate headings all on a single page This shows you a complete price build up at a glance and gives you the option to make price adjustments wherever necessary You can find the sections you need quickly and easily via the special marker system on the front cover and page edges The free CD with this price book contains Masterbill s ESTIMATOR software and fully resourced data on all the price elements in Laxtons Not only does the CD offer fast and efficient pricing at the touch of a button it gives details of all the resources required to do the job Laxton s approximate estimating section gives all in pricing for quick reference on the cost of composite items such as floors helping you calculate the cost implications of using plywood sheeting rather than softwood boarding for example Laxton s Basic Price section gives you a quick price on hundreds of items from concrete work to roofing materials to save you going through hundreds of lists from suppliers manufacturers and building merchants Laxton s Brand and Trade Names section lists over 12 000 brands and trade names and company addresses to help you locate specific items Latest wage rates fees and allowances All 250 000 price elements checked and updated      The Heating and Air Conditioning Journal ,1983      Heating & Air Treatment Engineer ,1961      **AJfocus** ,2000      **Surveyor and Municipal and County Engineer** ,1967-04      **The Consulting Engineer** ,1969      **Gas Engineering and Management** ,1988      A Vast Machine Paul N. Edwards,2010-03-12 The science behind global warming and its history how scientists learned to understand the atmosphere to measure it to trace its past and to model its future Global warming skeptics often fall back on the argument that the scientific case for global warming is all model predictions nothing but simulation they warn us that we need to wait for real data sound science In A Vast Machine Paul Edwards has news for these skeptics without models there are no data Today no collection of signals or observations even from satellites which can see the whole planet with a single instrument becomes global in time and space without passing through a series of data models Everything we know about the world s climate we know through models Edwards offers an engaging and innovative history of how scientists learned to understand the atmosphere to measure it trace its past and model its future      *Housing* ,1984      *The Architects' Journal* ,1983      Heating & Air Conditioning ,1992      Tolley's Domestic Gas Installation Practice John Hazlehurst,2009-10-26 This is the second of three essential reference volumes for those concerned with the installation and servicing of domestic and industrial equipment This handy volume explains the basic principles underlying the practical and theoretical aspects of installing and servicing gas appliances and associated equipment Covering both Natural Gas and Liquefied Petroleum Gas the many

illustrations and worked examples included throughout the text will help the reader to understand the principles under discussion Volume 2 of the Gas Service Technology Series will enable the reader to put into practice the safe installation and servicing procedures described in the companion volumes Basic Science and Practice of Gas Service Volume 1 and Industrial and Commercial Gas Installation Practice Volume 3 Combining a comprehensive reference with practical application in real world engineering contexts Volume 2 provides an essential handbook for all aspects of fundamental gas servicing technology ideal for both students new to the field as well as professionals and non operational professionals e g specifiers managers supervisors as an ongoing source of reference

*Scientific American Inventions and Discoveries* Rodney Carlisle, Scientific American, 2008-04-21 A unique A to Z reference of brilliance in innovation and invention Combining engagingly written well researched history with the respected imprimatur of Scientific American magazine this authoritative accessible reference provides a wide ranging overview of the inventions technological advances and discoveries that have transformed human society throughout our history More than 400 entertaining entries explain the details and significance of such varied breakthroughs as the development of agriculture the invention of algebra and the birth of the computer Special chronological sections divide the entries providing a unique focus on the intersection of science and technology from early human history to the present In addition each section is supplemented by primary source sidebars which feature excerpts from scientists diaries contemporary accounts of new inventions and various In Their Own Words sources Comprehensive and thoroughly readable *Scientific American Inventions and Discoveries* is an indispensable resource for anyone fascinated by the history of science and technology Topics include aerosol spray algebra Archimedes Principle barbed wire canned food carburetor circulation of blood condom encryption machine fork fuel cell latitude music synthesizer positron radar steel television traffic lights Heisenberg s uncertainty principle

**The Progress of Invention in the Nineteenth Century** Edward Wright Byrn, 1900

**Liver Cancers** Tim Cross, Daniel H. Palmer, 2018-12-12 This book explores in detail the primary liver cancers of hepatocellular carcinoma and cholangiocarcinoma examining the pathogenesis of disease along with diagnosis and current management options together with exploration of future treatment strategies and areas of controversy Furthermore the book highlights management of the common secondary malignancies and touches on benign liver tumours and how to best manage these Written in a clear and didactic style this volume includes summaries of the key learning points and questions so that the reader can gauge their knowledge and understanding This book is aimed to broaden the knowledge base of primary care physicians general physicians along with specialists in hepatology oncology and hepato biliary surgery

*The Journal of the Chartered Institution of Building Services*, 1979

**Timelines of Nearly Everything** Manjunath.R, 2021-07-03 This book takes readers back and forth through time and makes the past accessible to all families students and the general reader and is an unprecedented collection of a list of events in chronological order and a wealth of informative knowledge about the rise and fall of empires major scientific breakthroughs groundbreaking inventions and monumental moments about everything

that has ever happened

Embark on a transformative journey with Written by is captivating work, Discover the Magic in **Johnson And Starley Warm Air Heating Manual** . This enlightening ebook, available for download in a convenient PDF format PDF Size: , invites you to explore a world of boundless knowledge. Unleash your intellectual curiosity and discover the power of words as you dive into this riveting creation. Download now and elevate your reading experience to new heights .

<https://wiki.morris.org.au/About/virtual-library/fetch.php/First%20Aid%20In%20The%20Workplace%20Code%20Of%20Practice%202019.pdf>

<https://wiki.morris.org.au/About/virtual-library/fetch.php/Frank%20Kern%20Book%20Funnel.pdf>

[https://wiki.morris.org.au/About/virtual-library/fetch.php/Funny\\_Shoe\\_Game\\_Questions.pdf](https://wiki.morris.org.au/About/virtual-library/fetch.php/Funny_Shoe_Game_Questions.pdf)

## **Table of Contents Johnson And Starley Warm Air Heating Manual**

1. Understanding the eBook Johnson And Starley Warm Air Heating Manual
  - The Rise of Digital Reading Johnson And Starley Warm Air Heating Manual
  - Advantages of eBooks Over Traditional Books
2. Identifying Johnson And Starley Warm Air Heating Manual
  - Exploring Different Genres
  - Considering Fiction vs. Non-Fiction
  - Determining Your Reading Goals
3. Choosing the Right eBook Platform
  - Popular eBook Platforms
  - Features to Look for in an Johnson And Starley Warm Air Heating Manual
  - User-Friendly Interface
4. Exploring eBook Recommendations from Johnson And Starley Warm Air Heating Manual

- Personalized Recommendations
- Johnson And Starley Warm Air Heating Manual User Reviews and Ratings
- Johnson And Starley Warm Air Heating Manual and Bestseller Lists
- 5. Accessing Johnson And Starley Warm Air Heating Manual Free and Paid eBooks
  - Johnson And Starley Warm Air Heating Manual Public Domain eBooks
  - Johnson And Starley Warm Air Heating Manual eBook Subscription Services
  - Johnson And Starley Warm Air Heating Manual Budget-Friendly Options
- 6. Navigating Johnson And Starley Warm Air Heating Manual eBook Formats
  - ePub, PDF, MOBI, and More
  - Johnson And Starley Warm Air Heating Manual Compatibility with Devices
  - Johnson And Starley Warm Air Heating Manual Enhanced eBook Features
- 7. Enhancing Your Reading Experience
  - Adjustable Fonts and Text Sizes of Johnson And Starley Warm Air Heating Manual
  - Highlighting and Note-Taking Johnson And Starley Warm Air Heating Manual
  - Interactive Elements Johnson And Starley Warm Air Heating Manual
- 8. Staying Engaged with Johnson And Starley Warm Air Heating Manual
  - Joining Online Reading Communities
  - Participating in Virtual Book Clubs
  - Following Authors and Publishers Johnson And Starley Warm Air Heating Manual
- 9. Balancing eBooks and Physical Books Johnson And Starley Warm Air Heating Manual
  - Benefits of a Digital Library
  - Creating a Diverse Reading Collection Johnson And Starley Warm Air Heating Manual
- 10. Overcoming Reading Challenges
  - Dealing with Digital Eye Strain
  - Minimizing Distractions
  - Managing Screen Time
- 11. Cultivating a Reading Routine Johnson And Starley Warm Air Heating Manual
  - Setting Reading Goals Johnson And Starley Warm Air Heating Manual
  - Carving Out Dedicated Reading Time
- 12. Sourcing Reliable Information of Johnson And Starley Warm Air Heating Manual

- Fact-Checking eBook Content of Johnson And Starley Warm Air Heating Manual
  - Distinguishing Credible Sources
13. Promoting Lifelong Learning
- Utilizing eBooks for Skill Development
  - Exploring Educational eBooks
14. Embracing eBook Trends
- Integration of Multimedia Elements
  - Interactive and Gamified eBooks

### **Johnson And Starley Warm Air Heating Manual Introduction**

In the digital age, access to information has become easier than ever before. The ability to download Johnson And Starley Warm Air Heating Manual has revolutionized the way we consume written content. Whether you are a student looking for course material, an avid reader searching for your next favorite book, or a professional seeking research papers, the option to download Johnson And Starley Warm Air Heating Manual has opened up a world of possibilities. Downloading Johnson And Starley Warm Air Heating Manual provides numerous advantages over physical copies of books and documents. Firstly, it is incredibly convenient. Gone are the days of carrying around heavy textbooks or bulky folders filled with papers. With the click of a button, you can gain immediate access to valuable resources on any device. This convenience allows for efficient studying, researching, and reading on the go. Moreover, the cost-effective nature of downloading Johnson And Starley Warm Air Heating Manual has democratized knowledge. Traditional books and academic journals can be expensive, making it difficult for individuals with limited financial resources to access information. By offering free PDF downloads, publishers and authors are enabling a wider audience to benefit from their work. This inclusivity promotes equal opportunities for learning and personal growth. There are numerous websites and platforms where individuals can download Johnson And Starley Warm Air Heating Manual. These websites range from academic databases offering research papers and journals to online libraries with an expansive collection of books from various genres. Many authors and publishers also upload their work to specific websites, granting readers access to their content without any charge. These platforms not only provide access to existing literature but also serve as an excellent platform for undiscovered authors to share their work with the world. However, it is essential to be cautious while downloading Johnson And Starley Warm Air Heating Manual. Some websites may offer pirated or illegally obtained copies of copyrighted material. Engaging in such activities not only violates copyright laws but also undermines the efforts of authors, publishers, and researchers. To ensure ethical downloading, it is advisable to utilize reputable websites that prioritize the legal distribution of content. When downloading Johnson And Starley Warm Air



Heating Manual, users should also consider the potential security risks associated with online platforms. Malicious actors may exploit vulnerabilities in unprotected websites to distribute malware or steal personal information. To protect themselves, individuals should ensure their devices have reliable antivirus software installed and validate the legitimacy of the websites they are downloading from. In conclusion, the ability to download Johnson And Starley Warm Air Heating Manual has transformed the way we access information. With the convenience, cost-effectiveness, and accessibility it offers, free PDF downloads have become a popular choice for students, researchers, and book lovers worldwide. However, it is crucial to engage in ethical downloading practices and prioritize personal security when utilizing online platforms. By doing so, individuals can make the most of the vast array of free PDF resources available and embark on a journey of continuous learning and intellectual growth.

### **FAQs About Johnson And Starley Warm Air Heating Manual Books**

**What is a Johnson And Starley Warm Air Heating Manual PDF?** A PDF (Portable Document Format) is a file format developed by Adobe that preserves the layout and formatting of a document, regardless of the software, hardware, or operating system used to view or print it. **How do I create a Johnson And Starley Warm Air Heating Manual PDF?** There are several ways to create a PDF: Use software like Adobe Acrobat, Microsoft Word, or Google Docs, which often have built-in PDF creation tools. Print to PDF: Many applications and operating systems have a "Print to PDF" option that allows you to save a document as a PDF file instead of printing it on paper. Online converters: There are various online tools that can convert different file types to PDF. **How do I edit a Johnson And Starley Warm Air Heating Manual PDF?** Editing a PDF can be done with software like Adobe Acrobat, which allows direct editing of text, images, and other elements within the PDF. Some free tools, like PDFescape or Smallpdf, also offer basic editing capabilities. **How do I convert a Johnson And Starley Warm Air Heating Manual PDF to another file format?** There are multiple ways to convert a PDF to another format: Use online converters like Smallpdf, Zamzar, or Adobe Acrobats export feature to convert PDFs to formats like Word, Excel, JPEG, etc. Software like Adobe Acrobat, Microsoft Word, or other PDF editors may have options to export or save PDFs in different formats. **How do I password-protect a Johnson And Starley Warm Air Heating Manual PDF?** Most PDF editing software allows you to add password protection. In Adobe Acrobat, for instance, you can go to "File" -> "Properties" -> "Security" to set a password to restrict access or editing capabilities. Are there any free alternatives to Adobe Acrobat for working with PDFs? Yes, there are many free alternatives for working with PDFs, such as: LibreOffice: Offers PDF editing features. PDFsam: Allows splitting, merging, and editing PDFs. Foxit Reader: Provides basic PDF viewing and editing capabilities. How do I compress a PDF file? You can use online tools like Smallpdf, ILovePDF, or desktop software like Adobe

Acrobat to compress PDF files without significant quality loss. Compression reduces the file size, making it easier to share and download. Can I fill out forms in a PDF file? Yes, most PDF viewers/editors like Adobe Acrobat, Preview (on Mac), or various online tools allow you to fill out forms in PDF files by selecting text fields and entering information. Are there any restrictions when working with PDFs? Some PDFs might have restrictions set by their creator, such as password protection, editing restrictions, or print restrictions. Breaking these restrictions might require specific software or tools, which may or may not be legal depending on the circumstances and local laws.

**Find Johnson And Starley Warm Air Heating Manual :**

**first aid in the workplace code of practice 2019**

**frank kern book funnel**

**funny shoe game questions**

~~financial year australia dates~~

financial controller interview questions

free pregnancy risk assessment template

**fitbit charge 5 manual**

~~finger fumlbers sign language~~

*financial year end date*

finance and risk management

~~food technology course tesda~~

fifa 23 433 custom tactics

*first aid pro manual handling*

free to air tv guide coffs harbour

*frasers group financial services*

**Johnson And Starley Warm Air Heating Manual :**

**what to do when you worry too much a kid s guide to** - Jun 13 2023

web buy what to do when you worry too much a kid s guide to overcoming anxiety what to do guides for kids what to do guides for kids series illustrated by dawn huebner bonnie matthews isbn 8601404200342 from amazon s book store everyday low prices and free delivery on eligible orders

**what to do when you worry too much a kid s guide to** - Feb 26 2022

web what to do when you worry too much a kid s guide to overcoming anxiety huebner phd dawn matthews bonnie amazon sg books

*what to do when you worry too much american psychological association* - Apr 30 2022

web what to do when you worry too much is an interactive self help book designed to guide 6 12 year olds and their parents through the cognitive behavioral techniques most often used in the treatment of generalized anxiety

*what to do when you worry too much a kid s guide to overcoming anxiety* - Feb 09 2023

web sep 15 2005 what to do when you worry too much guides children and parents through the cognitive behavioral techniques most often used in the treatment of anxiety did you know that worries are like tomatoes no you can t eat them but you can make them grow simply by paying attention to them

**what to do when you worry too much a kid s guide to ubuy** - Sep 04 2022

web shop what to do when you worry too much a kid s guide to overcoming anxiety what to do guides for kids paperback september 15 2005 online at a best price in turkey get special offers deals discounts fast delivery options on international shipping with every purchase on ubuy turkey 1591473144

what to do when you worry too much k amightygirl com - Jul 02 2022

web sep 1 2023 what to do when you worry too much is an interactive self help book designed to guide kids and their parents through the cognitive behavioral techniques most often used in the treatment of generalized anxiety engaging encouraging and easy to follow this book educates motivates and empowers children to work towards change

what to do when you worry too much a kid s guide to - Mar 10 2023

web jul 15 2021 what to do when you worry too much a kid s guide to overcoming anxiety what to do guides for kids series kindle edition what to do when you worry too much guides children and parents through the cognitive behavioral techniques most often used in the treatment of anxiety

**what to do when you worry too much momentous institute** - Jan 28 2022

web book review what to do when you worry too much a kid s guide to overcoming anxiety by dawn huebner ph d what it s about geared towards young teenagers this book gives tools and strategies for managing anxiety it features workbook like pages for kids to draw pictures and write down their thoughts what we love about it

**what to do when you worry too much a kid s guide to overcoming anxiety** - Dec 07 2022

web jan 1 2005 what to do when you worry too much is an interactive self help book designed to guide 6 12 year olds and their parents through the cognitive behavioral techniques most often used in the treatment of generalized anxiety engaging encouraging and easy to follow this book educates motivates and empowers children to work

**what to do when you worry too much booktopia** - Dec 27 2021

web dec 30 2005 what to do when you worry too much guides children and parents through the cognitive behavioral techniques most often used in the treatment of anxiety did you know that worries are like tomatoes no you can t eat them but you can make them grow simply by paying attention to them

what to do when you worry too much a kid s guide to - Oct 05 2022

web magination press united states 2005 what to do when you worry too much is an interactive self help book designed to guide 6 12 year olds and their parents through the cognitive behavioural techniques most often used in the treatment of generalised anxiety metaphors and humorous illustrations make difficult concepts easy to understand

**what to do when you worry too much a kid s guide to** - Nov 06 2022

web jul 15 2021 gold nappa winner national parenting publications awards what to do when you worry too much guides children and parents through the cognitive behavioral techniques most often used in the treatment of anxiety did you know that worries are like tomatoes no you can t eat them but you can make them grow simply by paying

what to do when you worry too much a kid s guide to - Aug 15 2023

web sep 15 2005 what to do when you worry too much a kid s guide to overcoming anxiety what to do guides for kids series dawn huebner bonnie matthews on amazon com free shipping on qualifying offers what to do when you worry too much a kid s guide to overcoming anxiety what to do guides for kids series

*what to do when you worry too much a kid s guide to overcoming anxiety* - May 12 2023

web if your worries have grown so big that they bother you almost every day this book is for you what to do when you worry too much is an interactive self help book designed to guide 6 12 year olds and their parents through the cognitive behavioral techniques most often used in the treatment of generalized anxiety

*what to do when you worry too much a kid s guide to* - Apr 11 2023

web paperback illustrated sept 15 2005 what to do when you worry too much is an interactive self help book designed to guide 6 12 year olds and their parents through the cognitive behavioral techniques most often used in the treatment of generalized anxiety

what to do when you worry too much a kid s guide to overcoming anxiety - Mar 30 2022

web what to do when you worry too much a kid s guide to overcoming anxiety huebner dawn matthews bonnie amazon com au books books children s books growing up facts of life kindle 17 13 available instantly library binding 76 91 paperback 23 92 other new and used from 23 92 buy new 23 92 rrp 29 99

what to do when you worry too much a kid s guide to - Aug 03 2022

web what to do when you worry too much guides children and parents through the cognitive behavioral techniques most

often used in the treatment of anxiety did you know that worries are like tomatoes no you can t eat them but you can make them grow simply by paying attention to them

**what to do when you worry too much a kid s guide to ov** - Jul 14 2023

web sep 1 2005 if your worries have grown so big that they bother you almost every day this book is for you what to do when you worry too much guides children and parents through the cognitive behavioral techniques most often used in the treatment of anxiety

what to do when you worry too much a kid s guide to - Jan 08 2023

web this book guides kids and their parents through the cognitive behavioral techniques most often used in the treatment of generalized anxiety

*helping kids when they worry for parents kidshealth* - Jun 01 2022

web parents can help kids and teens face new things without letting worry hold them back here s how spend time with them do this every day even if it s just a few minutes do things together that you both enjoy go for a walk cook eat play or just hang out find ways to smile and laugh together

sherman tome 8 les chemins de jeannie 1969 - Feb 25 2023

web buy sherman tome 8 les chemins de jeannie 1969 by desberg stephen magda isbn 9782803671748 from amazon s book store everyday low prices and free

**sherman tome 8 les chemins de jeannie 1969** - May 31 2023

web jun 29 2018 20 ans ont passé depuis la mort de jay sherman sa fille jeannie vit aujourd hui à londres avec son grand amour ludwig le chanteur d opéra une fille est

**sherman tome 8 les chemins de jeannie 1969 decitre** - Aug 22 2022

web les naufragés du jonathan le secret de wilhelm storitz l etonnante aventure de la mission barsac the shorter fiction martin paz the blockade runners dr ox and other

sherman tome 8 les chemins de jeannie 1969 troisième - Sep 22 2022

web jun 29 2018 sherman tome 8 les chemins de jeannie 1969 de stephen desberg collection troisième vague livraison gratuite à 0 01 dès 35 d achat librairie decitre

**sherman tome 8 les chemins de jeannie 1969 le lombard** - Oct 04 2023

web sherman tome 8 les chemins de jeannie 1969 lire un extrait ajouter au panier 12 95 frais d envoi version numérique 5 99 acheter sur description et caractéristiques

**sherman tome 8 les chemins de jeannie 1969 apple books** - Apr 29 2023

web noté 5 retrouvez sherman tome 8 les chemins de jeannie 1969 et des millions de livres en stock sur amazon fr achetez

neuf ou d occasion

[sherman tome 8 les chemins de jeannie 1969 amazon fr](#) - Mar 29 2023

web 20 ans ont passé depuis la mort de jay sherman sa fille jeannie vit aujourd'hui à londres avec son grand amour ludwig le chanteur d opéra une fille est née de leur union la

[free sherman tome 8 les chemins de jeannie 1969](#) - Jan 15 2022

[sherman tome 8 les chemins de jeannie 1969 de de](#) - Feb 13 2022

web sherman tome 8 les chemins de jeannie 1969 jul 27 2023 20 ans ont passé depuis la mort de jay sherman sa fille jeannie vit aujourd'hui à londres avec son grand

**sherman tome 8 les chemins de jeannie 1969 french** - Dec 26 2022

web sherman tome 8 les chemins de jeannie 1969 les chemins de jeannie 1969 aux éditions le lombard 20 ans ont passé depuis la mort de jay sherman sa fille jeannie

[sherman tome 8 les chemins de jeannie 1969 cultura](#) - Nov 24 2022

web jun 29 2018 télécharger le livre sherman tome 8 les chemins de jeannie 1969 les chemins de jeannie 1969 de stephen desberg Éditeur le lombard en version

[sherman tome 8 les chemins de jeannie 1969 bd au](#) - Apr 17 2022

web sep 12 2023 partager télécharger maintenant sherman tome 08 les chemins de jeannie 1969 comment télécharger cbz liens de téléchargement téléchargement

[sherman tome 8 les chemins de jeannie 1969](#) - Jun 19 2022

web jun 29 2018 sa fille jeannie vit aujourd'hui à londres avec son grand amour ludwig le chanteur d opéra une fille est née de leur union la jolie kundry qui 20 ans ont

**sherman tome 8 les chemins de jeannie 1969** - May 19 2022

web sherman tome 8 les chemins de jeannie 1969 bd achat en ligne au meilleur prix sur e leclerc retrait gratuit dans de 700 magasins

**sherman tome 8 les chemins de jeannie 1969 pdf** - Jul 21 2022

web possibilité de commande et de réservation sans surcoût lieu de vie culturel sherman tome 8 les chemins de jeannie 1969 librairie la portée des mots

[sherman tome 8 les chemins de jeannie 1969 goodreads](#) - Aug 02 2023

web jan 29 2018 sherman tome 8 les chemins de jeannie 1969 stephen desberg magda illustrator 3 14 7 ratings0 reviews 20 ans ont passé depuis la mort de jay

[sherman tome 8 les chemins de jeannie 1969 furet du nord](#) - Oct 24 2022

web sherman tome 8 les chemins de jeannie 1969 troisième vague lombard desberg stephen magda amazon es libros

[sherman 1969 tome 8 sherman les chemins de jeannie](#) - Jul 01 2023

web jun 29 2018 sherman 1969 tome 8 sherman les chemins de jeannie 1969 stephen desberg magda seron le lombard eds des milliers de livres avec la

**sherman tome 8 les chemins de jeannie 1969 babelio** - Sep 03 2023

web jul 31 2018 sherman tome 8 les chemins de jeannie 1969 résumé 20 ans ont passé depuis la mort de jay sherman sa fille jeannie vit aujourd'hui à londres avec

[sherman tome 8 les chemins de jeannie 1969 hardcover](#) - Jan 27 2023

web jun 29 2018 amazon com sherman tome 8 les chemins de jeannie 1969 french edition ebook desberg stephen magda kindle store

[sherman tome 08 les chemins de jeannie 1969 bookys](#) - Mar 17 2022

web vendeur momox 410 756 98 2 lieu où se trouve berlin de lieu de livraison fr numéro de l'objet 404527184014 sherman tome 8 les chemins de jeannie 1969

[catherine de ma c dicis volume 13 un destin plus pdf](#) - Aug 03 2022

web may 28 2023 guide catherine de ma c dicis volume 13 un destin plus as you such as by searching the title publisher or authors of guide you truly want you can discover them rapidly in the house workplace or perhaps in your method can be every best area within net connections if you wish to download and install the catherine de ma c dicis

[online library catherine de ma c dicis volume 13 un destin plus](#) - Apr 11 2023

web jul 9 2023 as this catherine de ma c dicis volume 13 un destin plus it ends in the works mammal one of the favored ebook catherine de ma c dicis volume 13 un destin plus collections that we have this is why you remain in the best website to see the amazing ebook to have

**ud için makam dizileri enver mete aslan fiyat satın al d r** - Nov 25 2021

web aug 6 2019 tüm formatlar 1 adet İnce kapak 105 00 tl standart teslimat 23 ağustos 26 ağustos 200 tl ve üzeri siparişlerinizde kargo bedava bu Ürünle birlikte alınanlar

[catherine de ma c dicis volume 13 un destin plus download](#) - Sep 04 2022

web right here we have countless books catherine de ma c dicis volume 13 un destin plus and collections to check out we additionally come up with the money for variant types

[catherine de ma c dicis volume 13 un destin plus pdf 2023](#) - Nov 06 2022

web may 28 2023 catherine de ma c dicis volume 13 un destin plus pdf catherine de ma c dicis volume 13 un destin plus pdf

but stop taking plantes potions et décoctions

[catherine de ma c dicis volume 13 un destin plus pdf free](#) - Mar 30 2022

web catherine de ma c dicis volume 13 un destin plus pdf upload betty q murray 1 6 downloaded from voto uncal edu br on catherine de ma c dicis volume 13 un destin plus pdf thank you very much for downloading catherine de ma c dicis volume 13 un destin plus pdf as you may know people have look hundreds times for their chosen

**catherine de ma c dicis volume 13 un destin plus pdf** - Jun 13 2023

web catherine de ma c dicis volume 13 un destin plus pdf jbedssofa com author nathaniel johnson subject the life of thomas egerton lord chancellor of england

[catherine de ma c dicis volume 13 un destin plus pdf](#) - Jun 01 2022

web nov 15 2022 discover the declaration catherine de ma c dicis volume 13 un destin plus that you are looking for it will completely squander the time however below as soon as

**catherine de ma c dicis volume 13 un destin plus pdf** - Dec 07 2022

web jun 16 2023 catherine de ma c dicis volume 13 un destin plus 1 4 downloaded from uniport edu ng on june 16 2023 by guest catherine de ma c dicis volume 13 un

**catherine de ma c dicis volume 13 un destin plus pdf** - Apr 30 2022

web catherine de ma c dicis volume 13 un destin plus downloaded from sql1 viewber co uk by guest maximus jonathan best sellers books dark future uncovering the great reset s terrifying next phase the great reset series

**catherine de ma c dicis volume 13 un destin plus pdf** - Mar 10 2023

web may 11 2023 getting the books catherine de ma c dicis volume 13 un destin plus pdf now is not type of inspiring means you could not without help going as soon as ebook

**catherine de ma c dicis volume 13 un destin plus copy** - Jan 28 2022

web apr 10 2023 catherine de ma c dicis volume 13 un destin plus 3 3 downloaded from uniport edu ng on april 10 2023 by guest dictionnaire historique de la france ludovic

[destine ca n filme overdrive](#) - Oct 25 2021

web may 25 2016 destine ca n filme este o emisiune tv realizată de iuliana marciuc despre oameni obișnuiți aflați în situații neobișnuite despre clipe momente întâmplări care le

**catherine de médicis volume 13 un destin plus grand que la** - May 12 2023

web catherine de médicis volume 13 un destin plus grand que la prudence by jérémie foa nicolas vidoni archives the union catalog of pre 1600 books online diario de la

**catherine de ma c dicis volume 13 un destin plus pdf** - Feb 26 2022



web mar 18 2023 catherine de ma c dicis volume 13 un destin plus 2 3 downloaded from uniport edu ng on march 18 2023 by guest and inaccurate from even a scriptural

[catherine de ma c dicis volume 13 un destin plus pdf](#) - Oct 05 2022

web apr 13 2023 catherine de ma c dicis volume 13 un destin plus 1 5 downloaded from uniport edu ng on april 13 2023 by guest catherine de ma c dicis volume 13 un

*catherine de médicis volume 13 un destin plus grand que la* - Jul 14 2023

web catherine de médicis volume 13 un destin plus grand que la prudence on amazon com free shipping on qualifying offers catherine de médicis volume 13

**catherine de ma c dicis volume 13 un destin plus pdf** - Jan 08 2023

web thank you very much for reading catherine de ma c dicis volume 13 un destin plus maybe you have knowledge that people have search hundreds times for their chosen

**destins wikipédia** - Sep 23 2021

web destins est un roman de françois mauriac publié en 1928 aux éditions grasset résumé jean gornac et sa belle fille Élisabeth font prospérer un domaine viticole à viridis en

**catherine de médicis volume 13 un destin plus grand que la** - Aug 15 2023

web catherine de médicis volume 13 un destin plus grand que la prudence by jérémie foa nicolas vidoni tour d auvergne et d un médicis laurent duc d urbino elle est un

**catherine de ma c dicis volume 13 un destin plus** - Feb 09 2023

web inside their computer catherine de ma c dicis volume 13 un destin plus is genial in our digital library an online entrance to it is set as public fittingly you can download it

**catherine de ma c dicis volume 13 un destin plus pdf** - Jul 02 2022

web catherine de ma c dicis volume 13 un destin plus book review unveiling the magic of language in an electronic era where connections and knowledge reign supreme the

**catherine de médicis volume 13 un destin plus grand que la** - Dec 27 2021

web jun 9 2023 in the course of them is this catherine de médicis volume 13 un destin plus grand que la prudence by jérémie foa nicolas vidoni that